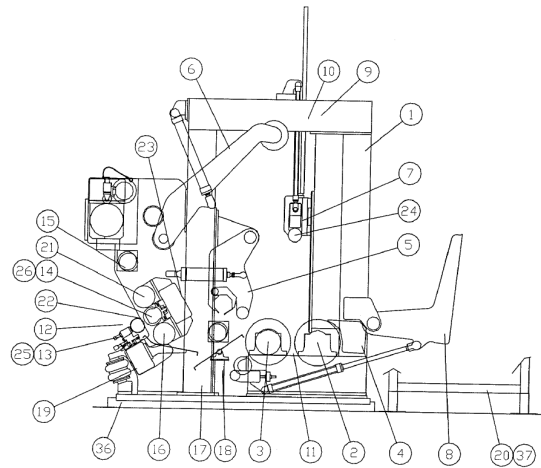


# Rewinder for Tissue

## Second hand machine | Article No. 4656

### Technical data:

Machine:	Rewinder for Tissue
Producer:	A. Celli
Type:	AC 860 D
Size:	2650-3500 mm
Capacity:	1500 m / min
Year:	ca 2000



## Description:

---

Rewinder:

Carrying drums width: 3500 mm

Carrying drums diam. : 500 mm

Longitudinal cutting device : "Slitto"

# of slitters : 7

Min cut width: 60 mm

Drive side : Left hand according to product flow

Unwinders

# unwinding unit : 3

Roll width : 3500 mm

Alignment set :  $\pm 75$ mm

Characteristics of plant and product

Type of product to be wound: Tissue

Grammage: 13 - 40g/m<sup>2</sup>

Finished reel diameter : min. 600mm - 1800mm

Parent reel diameter : max. 2200 mm

Reel width : 2650 - 3300 mm

Winding spool : 75 - 260 mm

Carton core diameter :  $\emptyset 75$ mm,  $\emptyset 260$ mm

Air pressure: 6 bar clean and dry

Main transmission system: Multisectional DC motors

Supply voltage: 380 V - 50 Hz - 3 Phases

220 Vac - 24 Vac

Performances

Mechanical speed : 1500 m/min

Threading speed : 10 m/min

Balancing speed : 1600 m/min